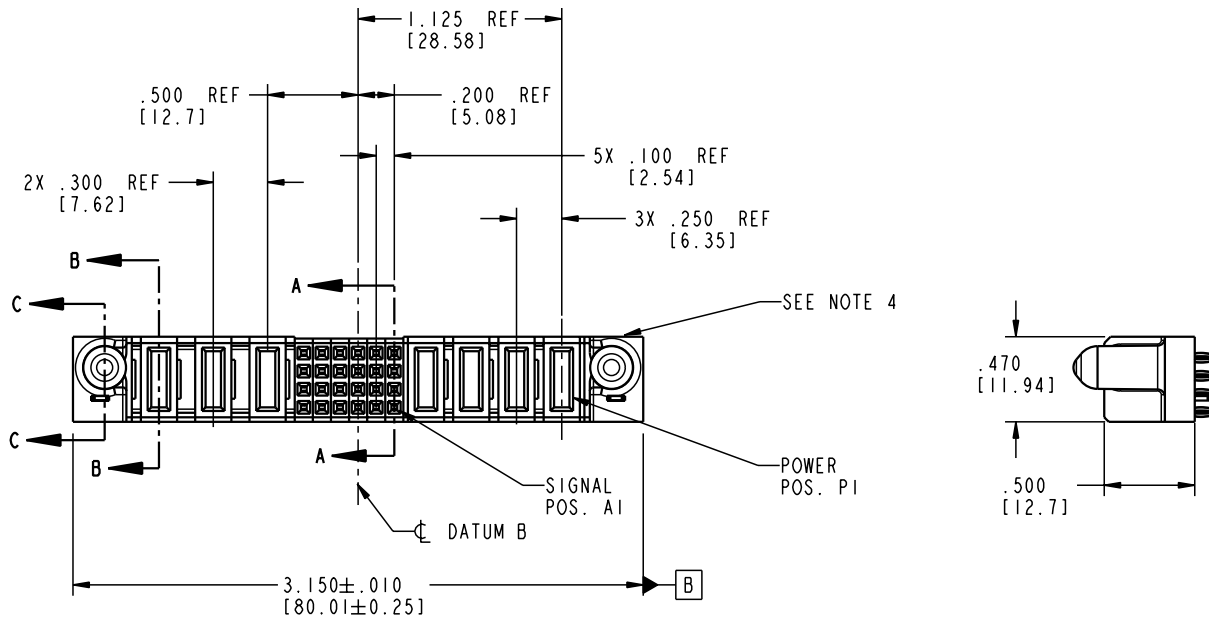


Tous droits strictement reserves. Reproduction ou communication a des tiers interdite sous quelque forme que ce soit sans autorisation écrite du propriétaire. Propriete de c FCI. Droits de reproduction FCI.



All rights strictly reserved. Reproduction or issue to third parties in any form whatever is not permitted without written authority from the proprietor. Property of FCI. Copyright FCI.

PRODUCT NO.	ROWS	POWER				SIGNAL						POWER				E1
		E2	P7	P6	P5	6	5	4	3	2	1	P4	P3	P2	P1	
51940-031	D C B A		PF	PF	PC	FFFFF	FFFFF	FFFFF	FFFFF	FFFFF	FFFFF	PF	PF	PF	PF	



CODE	DIM "M" MATING LENGTH	CONTACT TYPE
HA	N/A [N/A]	HOLD-DOWN
PF	.092 [2.34]	POWER
F	N/A [N/A]	SIGNAL
PC	.042 [1.07]	POWER

mat'l code		SEE NOTE 2		tolerances unless otherwise specified		CUSTOMER			
lfr	ecn no.	dr	date	linear	.XX±.01/0.XX±0.3	COPY		www.fciconnect.com	
A	V03-0106	MEM	01/23/03	angles	.XXX±.005/0.XX±0.13	projection		title	
					.XXX±.0020/0.XX±0.051			4P + 24S + 3ACP	
				dr	M. MOSTOLLER 1/23/03	INCH/MM		VERTICAL PRESS FIT RECEIPT	
				enr	M. MOSTOLLER 1/23/03	scale		product family	
				chr	H. BREWBAKER 1/23/03	1:1		PwrBlade	
				appd	M. MOSTOLLER 1/23/03			code	
sheet index	revision	A	A	A	A			size	
	sheet	1	2	3	4			dwg no	
								A 51940-031	
								sheet	
								1 of 4	

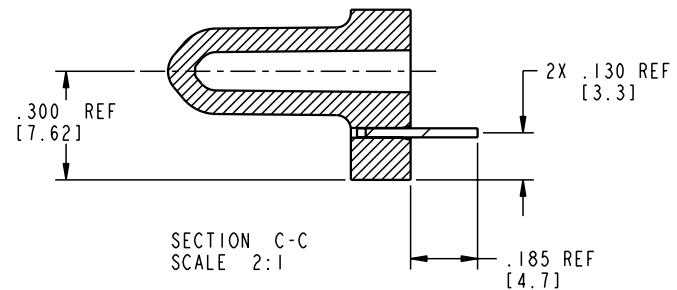
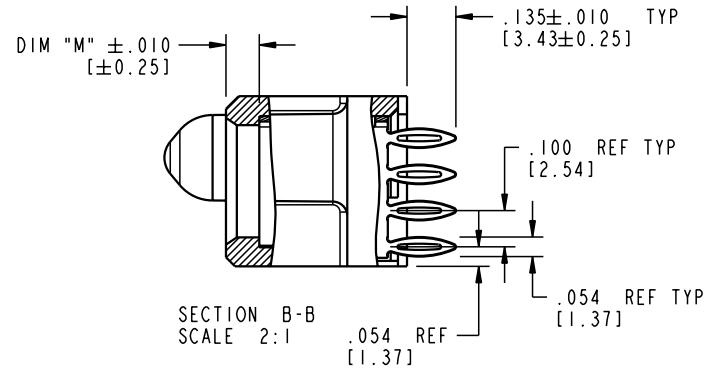
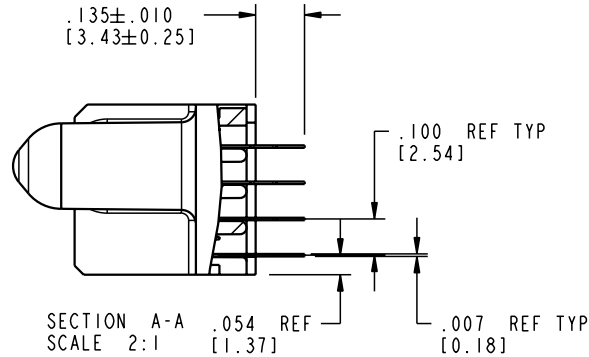
cage code 22526


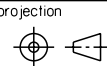
Pro/E

Tous droits strictement reserves. Reproduction ou communication a des tiers interdite sous quelque forme que ce soit sans autorisation ecrite du proprietaire. Propriete de c FCI. Droits de reproduction FCI.

All rights strictly reserved. Reproduction or issue to third parties in any form whatever is not permitted without written authority from the proprietor. Property of FCI. Copyright FCI.

PRODUCT NUMBER
51940-031



mat'l code		SEE NOTE 2		tolerances unless otherwise specified		CUSTOMER		 www.fciconnect.com	
ltr	ecn no.	dr	date	linear	.XX ± .01 / 0.XX ± 0.3	COPY		title	
A				projection	.XXX ± .005 / 0.XX ± 0.13			4P + 24S + 3ACP	
				angles	.XXX ± .0020 / 0.XXX ± 0.051	INCH/MM		VERTICAL PRESS FIT RECEIPT	
				dr	0° ± 7°	scale		product family	
				engr	M. MOSTOLLER 1/23/03	1:1		PwrBlade	
				chr	M. MOSTOLLER 1/23/03			code	
				appd	H. BREWBAKER 1/23/03			213	
					M. MOSTOLLER 1/23/03			size	
								dwg no	
								A 51940-031	
								sheet	
								2 of 4	
sheet index	revision sheet								

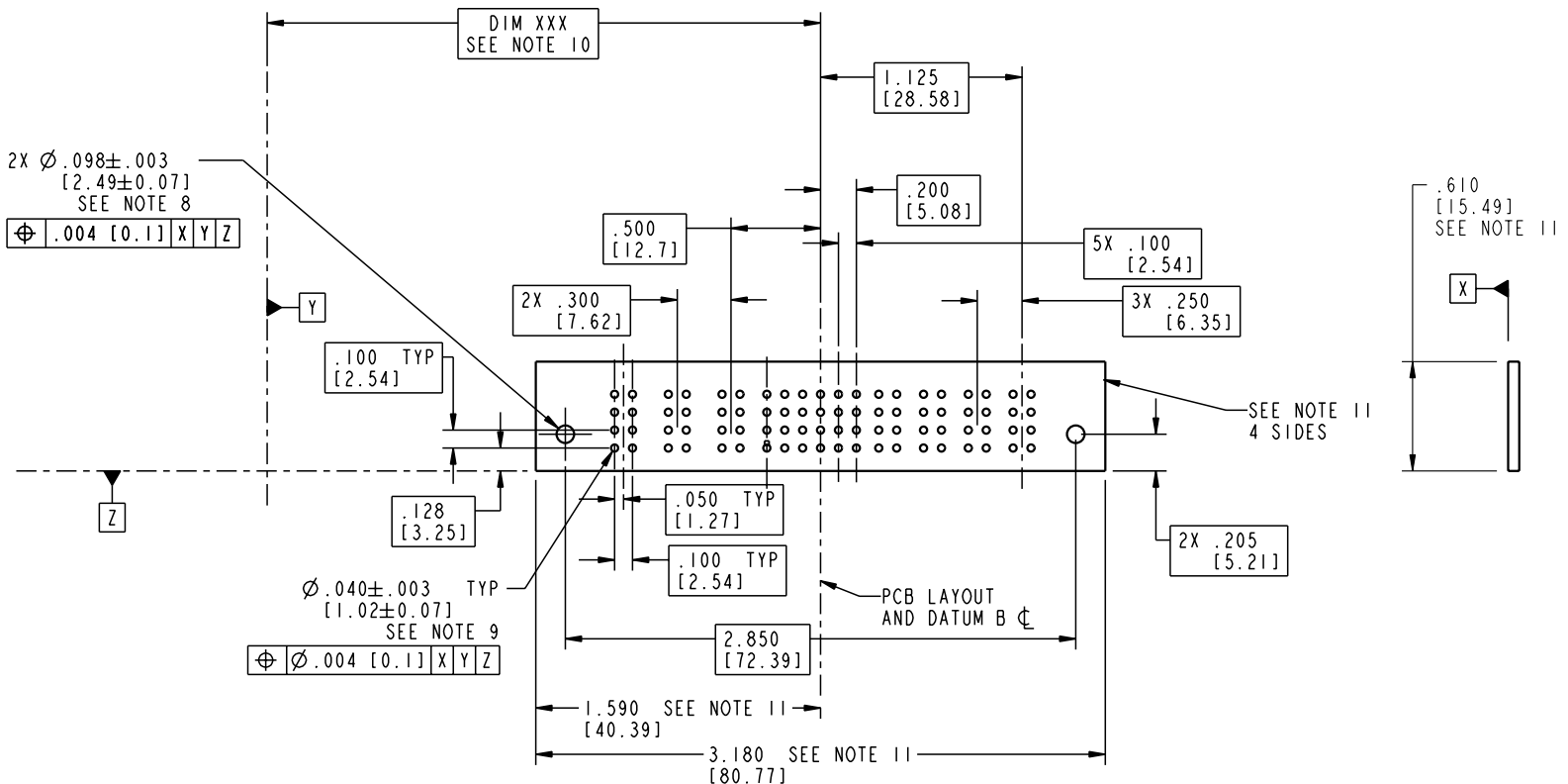
code code 22526

Pro/E

Tous droits strictement réservés. Reproduction ou communication a des tiers interdite sous quelque forme que ce soit sans autorisation écrite du propriétaire. Propriété de c FCI. Droits de reproduction FCI.

All rights strictly reserved. Reproduction or issue to third parties in any form whatever is not permitted without written authority from the proprietor. Property of FCI. Copyright FCI.

PRODUCT NUMBER
51940-031



mat'l code		SEE NOTE 2		tolerances unless otherwise specified		CUSTOMER		 www.fciconnect.com	
ltr	ecr no.	dr	date	linear	.XX±.01/0.XX±0.3	COPY		title	
A				angles	.XXX±.005/0.XX±0.13	projection		4P + 24S + 3ACP	
				dr	.XXX±.0020/0.XX±0.051			VERTICAL PRESS FIT RECEIPT	
				enr	M. MOSTOLLER 1/23/03	INCH/MM		product family	
				chr	H. BREWBAKER 1/23/03	scale		PwrBlade	
				appd	M. MOSTOLLER 1/23/03	1:1		code	
sheet index		revision sheet						213	
								size	
								dwg no	
								A 51940-031	
								sheet	
								3 of 4	

cage code 22526

PRODUCT NUMBER
51940-031

NOTES:

1. DIMENSIONS AND TOLERANCES ARE IN ACCORDANCE WITH ASME Y14.5M, 1994 UNLESS OTHERWISE SPECIFIED.

CONNECTOR NOTES:

- 2 HOUSING MATERIAL: UL 94 V-0 GLASS FILLED
HIGH-TEMP THERMOPLASTIC
POWER CONTACT MATERIAL: COPPER ALLOY
SIGNAL PIN MATERIAL: COPPER ALLOY
- 3. PLATING:
SIGNAL PINS: 30u"/0.76um Au OVER 50u"/1.27um Ni
POWER CONTACTS: 50u"/1.27um Ni UNDER ALL
WITH 30u"/0.76um Au ON CONTACT AREA
AND SnPb ON PCB INTERFACE
- 4 MANUFACTURER'S NAME, P/N, AND DATE CODE TO APPEAR ON THIS SURFACE.
- 5. PRODUCT SPECIFICATION GS-12-149.
APPLICATION SPECIFICATION BUS-20-067.
- 6. PACKAGED IN TRAYS.
- PCB NOTES:
- 7. ALL HOLE DIAMETERS ARE FINISHED HOLE SIZE.
- 8 MOUNTING HOLES, WHERE APPLICABLE, ARE UNPLATED.
- 9 $\varnothing .0453 \pm .0010$ [1.151 \pm 0.025] DRILLED HOLES PLATED WITH
.0003 [0.008] MIN SnPb OVER .001 [0.03]
TO .003 [0.08] Cu PLATING TO ACHIEVE
 $\varnothing .040 \pm .003$ [1.02 \pm .07] HOLE.
- 10 "DIM XXX" TO BE DETERMINED BY THE CUSTOMER.
- 11 CONNECTOR KEEP-OUT ZONE.

Tous droits strictement reserves. Reproduction ou communication a des tiers interdite sous quelque forme que ce soit sans autorisation ecrite du proprietaire. Propriete de c FCI. Droits de reproduction FCI.

A

A



All rights strictly reserved. Reproduction or issue to third parties in any form whatever is not permitted without written authority from the proprietor. Property of FCI. Copyright FCI.

B

B

mat'l code		SEE NOTE 2		tolerances unless otherwise specified		CUSTOMER		 www.fciconnect.com	
lfr	ecn no.	dr	date	linear	.XX±.01/0.X±0.3	COPY		title	
A				angles	.XXX±.005/0.XX±0.13	projection		4P + 24S + 3ACP	
					.XXX±.0020/0.XXX±0.051			VERTICAL PRESS FIT RECEIPT	
				dr	M. MOSTOLLER 1/23/03	INCH/MM		product family PwrBlade	
				enr	M. MOSTOLLER 1/23/03	scale		code 213	
				chr	H. BREWBAKER 1/23/03	1:1		size dwg no	
				appd	M. MOSTOLLER 1/23/03			A 51940-031	
sheet index	revision sheet							sheet 4 of 4	